

DIGITAL SETTING: The 425A is set digitally by rotating each setting knob until the desired Time Preset is displayed by the number wheels on the front of the timer. The digital setting allows exact, accurate and repeatable timing cycles.

HIGH ACCURACY: The 425A utilizes a crystal controlled oscillator which provides 0.1% timing accuracy across all rated voltages and temperatures.

CYCLE PROGRESS INDICATION: The 425A offers the industry's brightest green LED display in a 1/16 DIN package. Depending on the Model, the three-digit LED display will time UP to or DOWN from the Time Preset.

Through its internal microcontroller, the 425A keeps track of the time setting by monitoring each of the three Time Preset switches. Whenever a change is made in the time preset, even during a cycle, the 425A instantly re-computes and adjusts the current timing cycle.

1/16 DIN HOUSING: The 48mm² (1/16 DIN) housing is compact, allowing the 425A to be panel mounted or plug-in using an 8-pin octal socket. The decimal point and SEC/MIN/HRS switches are located on the side of the unit. When panel mounted, these range switches are not accessible to the operator. This Tamper-proof feature prevents unauthorized or hazardous changes to the timing range.

MEMORY OPTION: The 425A can be ordered as standard with an EEPROM memory. This allows the 425A to retain the elapse time or time remaining during momentary or sustained power interruptions.

INSTANTANEOUS AND DELAYED RELAY VERSIONS: A version of the 425A is available with one set of SPDT instantaneous contacts and one set of SPDT delayed contacts.

DELAYED RELAY VERSION: A version of the 425A is available with DPDT delayed contacts.

MODEL 425A300Q10XX (SPDT INSTANTANEOUS & SPDT DELAYED RELAYS): Timing starts when power is applied to terminals 2 and 7. The instantaneous relay energizes, the LED digital display begins to increment from 0 and the timing LED blinks slowly. When the preset value is reached, the LED blinks rapidly and the Delayed SPDT relay is energized. The timer remains in this timed-out condition until reset by removing power.

MODEL 425A300Q20XX (DPDT DELAYED RELAY): Timing starts when power is applied to terminals 2 and 7. The LED display begins to increment from 0 and the timing LED blinks slowly. When the preset value is reached, the LED stops, the timing LED blinks rapidly and the Delayed DPDT relay energizes. The timer remains in this timed-out condition until reset by removing power.

MODEL 425A300Q10MX & MODEL 425A300Q20MX (MEMORY OPTION): Operation is same as above, however, units will not reset when power is removed during the timing cycle. Timers with this option can only be reset after time-out, or by adjusting the setting knobs to 000 during the timing cycle.

CAUTION: Be advised that the relay(s) will transfer when setting knobs are adjusted to 000 when power is applied.

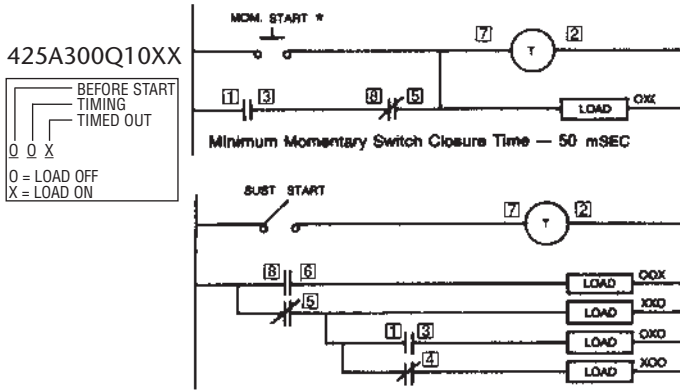


1/16 DIN LED Digital Display Timer

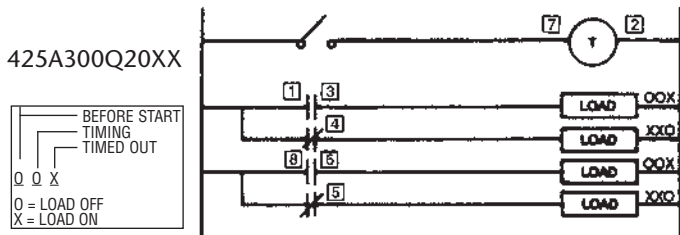
- Easy-To-Read High Intensity Green LED Display
- Timing From .01 SEC to 999 Hrs in One Unit
- Switch Selectable Timing Ranges Are Tamper Proof When Panel Mounted
- Timing LED Indicates Output Relay Status
- Time Preset Can Be Adjusted While Timing
- EEPROM memory Option Standard Feature
- Passes NEMA Showering Arc Noise Test
- Panel Mounting or 8-pin Octal Plug-in mounting
- Timing Up to or Down From the Set Point

MODEL NUMBER >>>>>>	425A	300			
Range	0 to 9.99 or 99.9 or 999 SEC, MIN, HR		300		
Voltage & Frequency	120 VAC - 240 VAC 50/60 Hz		G		
	120 VAC 50/60 Hz		Q		
Output Arrangement	Instantaneous Relay (SPDT), Delay Relay (SPDT)		10		
	Delay Relay (DPDT)		20		
Memory	Standard-No Memory		X		
	With Memory (EEPROM)		M		
Features	Standard (Time Up)		X		
	Standard (Time Down)		D		
	Special		K		
Accessories	8-Pin surface/DIN rail socket		0000-825-85-00		
	Hold down clips for above socket		0407-025-13-00		
	Panel mounting bracket		0405-320-02-00		
	Plug-in socket kit (8-pin)		0319-261-45-00		
	8-Pin socket w/rear facing terminals		600-3-0011		

TYPICAL CIRCUITS

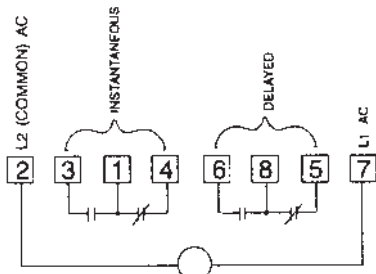


RELAY	CONTACTS	Before Start	During Timing	End of Cycle
Instantaneous	1-3			
	1-4			
Delayed	8-6			
	8-5			

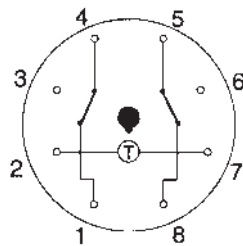


RELAY	CONTACTS	Before Start	During Timing	End of Cycle
Instantaneous	1-3			
	1-4			
Delayed	8-6			
	8-5			

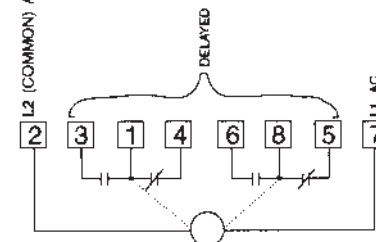
WIRING



MODEL 425A300Q10XX, XD
425A300Q10MX, MD



BOTTOM VIEW OF TIMER



MODEL 425A300Q20XX, XD
425A300Q20MX, MD

SPECIFICATIONS

MODELS	425A300Q10XX	ON-Delay Time Up
	425A300Q20XX	ON-Delay Time Up
	425A300Q10XD	ON-Delay Time Down
	425A300Q20XD	ON-Delay Time Down
RANGES	Switch Selectable, 0 to 9.99, 99.9 or 999 Sec/Min/Hrs	
LOAD RELAY	Type	Q10 Models: SPDT, Q20 Models: DPDT
	Life	10 Million operations (no load)
	Contact Rating	5 AMPS Resistive @ 250 VAC 30 VDC, or 1/10HP @ 120 VAC
TEMPERATURE RATING	0° to 140°F (-18° to 60°C)	
NOISE IMMUNITY	Showering ARC per NEMA ICS2-230, the 425A will withstand a voltage surge of 4500 volts for 50 microseconds without damage	
MOUNTING	8-Pin Octal plug-in base, Panel Mounting Bracket	
POWER REQUIREMENTS	120 VAC, 50/60 Hz; (10%, -20%); 5WATT maximum	
REPEAT ACCURACY	±.1% over rated voltages	
RESET TIME	100 mSEC minimum	
DISPLAY	Cycle Progress	3 Digit Green LED Display, seven segment numeric
	Timing LED	Red LED blinks slowly (once per second) during timing; blinks rapidly after time out.
MEMORY	EEPROM 100,000 read/write cycles	
HOUSING	1/16 DIN (48mm x 48mm) Housing	
WEIGHT	5oz (140g)	Shipping 1 lb.

DIMENSIONS (INCHES/MILLIMETERS)

